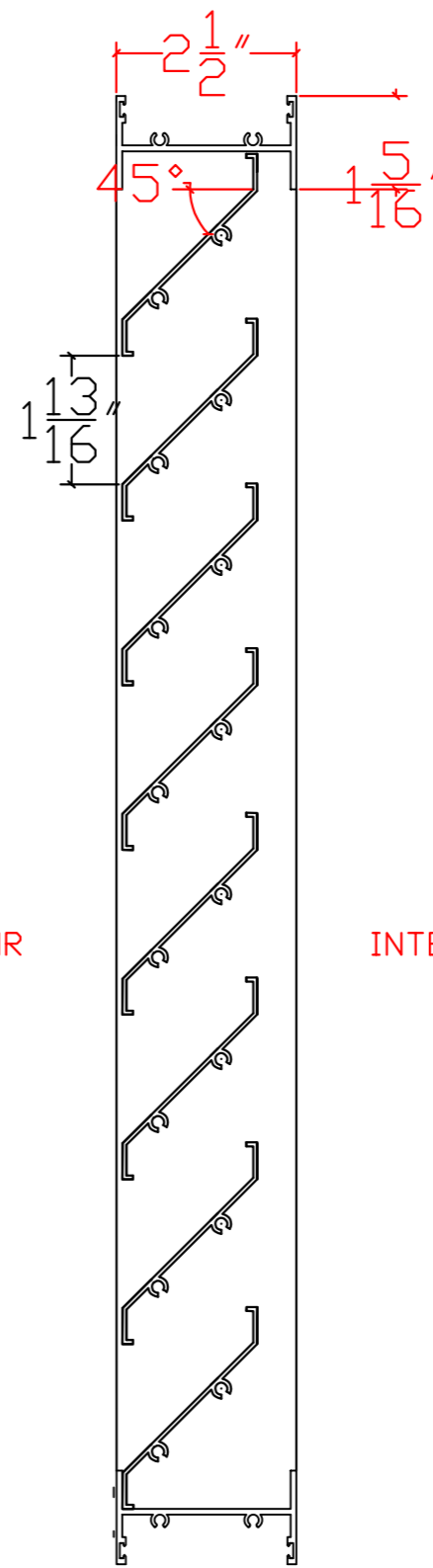
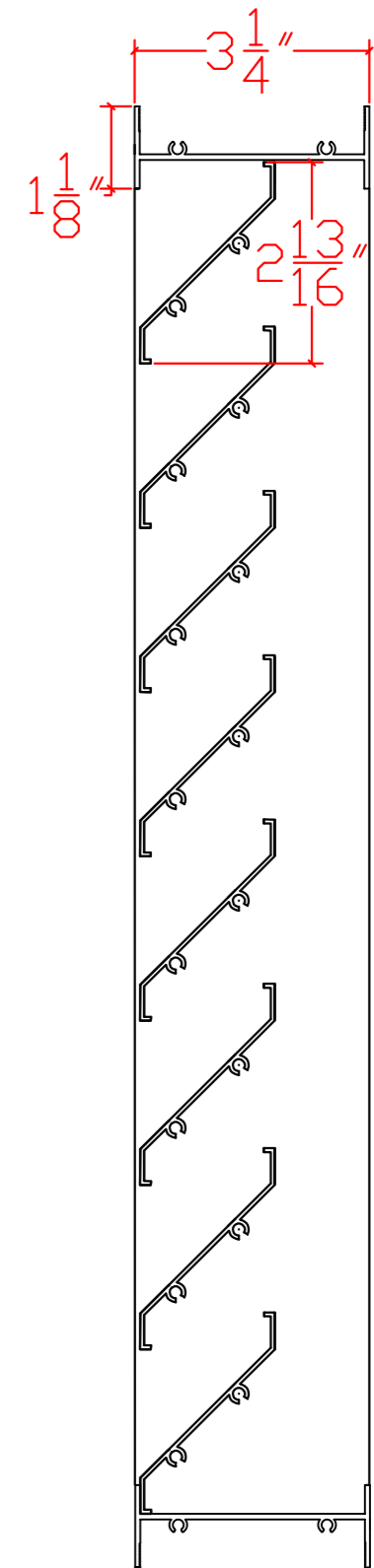


EXTERIOR

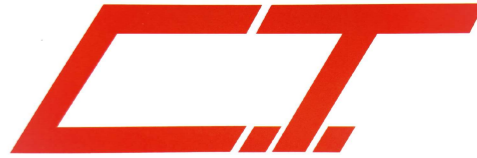
INTERIOR



2 1/2" System



3 1/4" System

Name:			
<b>Louver 2 1/2" &amp; 3 1/4" System</b>			
Date:	Drawn By:	Scale:	71E Industry Court, Deer Park 11729 Tel: (631) 940-8188 Fax: (631) 940-8190 Email: salesctwindows@gmail.com ctaluminumnyc.com
	<b>JL</b>	<b>As Shown</b>	